



The Best Is Always Superior™

For Replacement & New Construction Applications

Premium Vinyl Windows How To Clean & Care

Product Information Sheet

Handling, Storing, Installation & Care Tips

Handling

Proper care in handling and transportation of vinyl is most important. Vinyl is a composition of inorganic materials, which results in a softer material than aluminum. When damage to frame members occurs, the complete frame may need to be replaced, since the frame corners are fusion welded.

Storing

When storing vinyl windows, they should be placed in a cool or shaded area with the bottom of the window on a level surface. It is recommended that no more than five windows be stacked against each other in the same stack with as minimal lean as possible. They should have full support (a wall, window rack, or solid surface) to lean against. Avoid leaning them against posts, corners, or sharp items. When lifting vinyl windows, one should lift from the bottom (sill). This will prevent any damage to, or twisting of the head of the window.

Installation

For long lasting optimum operations, it is important that the windows are installed properly and protected during construction. When installing windows, make sure that the window is set plumb and square with full support under the sill for nail-on windows. Use the prepunched nail holes in the fins. Power nail systems should not be used because excess power may damage the fin. Avoid striking the frame when using a hammer. Use of flexible caulk is recommended. (See recommended installation instructions.)

Care

Protecting the window during construction is advisable. This will allow the window to maintain its original beauty. Wash your window with mild soapy solution and rinse with clean water. Never use abrasive cleansers or pads on vinyl windows. This may result in damage to the window surfaces. Occasional vacuuming and cleaning of the window tracks will result in long term operations. Vinyl windows are nearly maintenance free.

Cleaning Recommendations

Vinyl windows can be cleaned by using a mild soapy solution and rinsing with clear water. The use of abrasive cleansers or pads for general cleaning is NOT RECOMMENDED, since they may cause surface damage.

For specific stains, check the list below for the following cleaning recommendations:

<u>Stain</u>	<u>Cleaner</u>
Pencil	Tide or Endust
Flair Felt Pen	Any water based cleaner
Nail Polish	Nail Polish Remover
Dap	Fantastic or Soft Scrub
Oil Stain	Soft Scrub or Comet
Dirt	Pine Sol or Soft Scrub
Crayon	Endust or 409
Duct Tape Residue . . .	Rubbing Alcohol 70%
Black Tar	Endust



INSTALLATION INSTRUCTIONS NAIL-ON WINDOWS

The Best Is Always Superior™

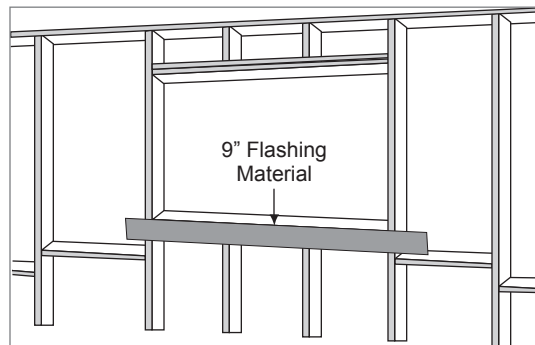
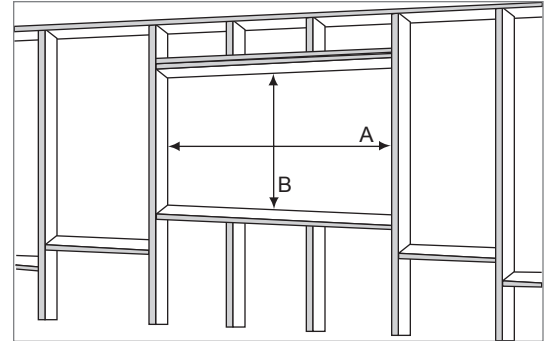
WOOD FRAME CONSTRUCTION

Please read all instructions before beginning the installation.

Extreme caution should be used to avoid damage to windows during and after installation and throughout construction!

1. Frame the rough opening $\frac{3}{8}$ " to $\frac{3}{4}$ " larger than the actual net window size. (Net window size does not include nail-on fin.) The framing should be plumb, square, and level.

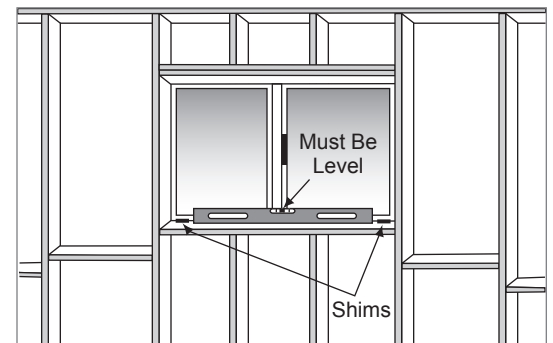
NOTE: For vinyl windows, a double sill plate is recommended.



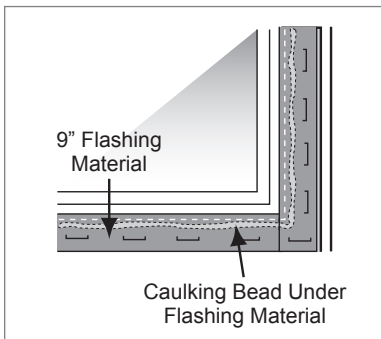
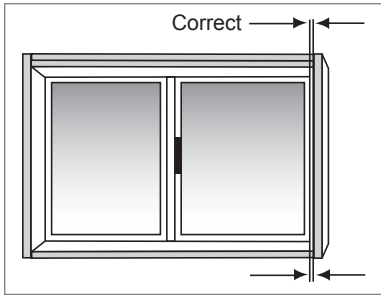
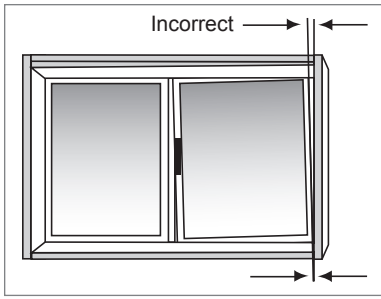
2. Apply the first strip of 9" flashing material horizontally along the sill plate. The top edge of the material should be leveled with the top edge of the rough opening. The flashing should extend $8\frac{1}{2}$ " beyond the opening on each side.
3. Apply a continuous bead of sealant to the back side (interior surface) of the nail-on fin prior to installing the window.

NOTE: Apply the sealant in line with any prepunched holes or slots located on the nail-on fin if provided.

4. Immediately after sealant is applied place the window into the opening from the outside (handle goes to the inside), centered between the vertical studs. Shim and adjust the window as necessary to achieve a plumb and level condition, as well as an even reveal around the frame opening. Secure the jambs and sill with the equivalent of 6d galvanized or aluminum nails through the nail fin on a maximum of 16" center. Do not nail through the nail fin at the head. Put the nails $\frac{1}{2}$ " above the fin and bend them over the fin.



NOTE: DO NOT Shim directly under the vinyl window frame. Shim between the sill plates.



To check for squareness, open the moving vent 1/2". The reveal should be the same at the top and bottom.

5. Apply a continuous and generous bead of sealant to the exposed nail fin vertical jambs. Continue the bead at the jamb vertically 8 1/2" above the rough opening at the head of the window. The sealant should be applied in line with the prepunched holes on the nail fin and over the head of the fasteners. Seal the full length of any mechanically fastened seams at the nail fin corners.
6. Install the 9" jamb flashing material by pressing the material into the sealant. Extend the jamb flashing 8 1/2" above the rough opening and 8 1/2" below the rough opening sill. Tack the flashing into place.
7. Apply a continuous bead of sealant across the window header at a height of 8 1/2" above the rough opening and a second bead across the nail fin. Extend the sealant 8 1/2" beyond the rough opening on each side to ensure that it will completely overlap the jamb flashing.
8. Cut and install the head flashing material by pressing the top and bottom edges into the sealant being careful to work out any air bubbles that could hold water. Extend the jamb flashing 10" beyond the opening on either side so as to ensure it completely overlaps the jamb flashing. Tack in place.

NOTES

- The installer should be familiar with all relevant building codes and regulations.
- These instructions are to be used as a guide and actual conditions may change the installation process.
- Hinged and pivoted windows may require additional fasteners located near the hinge or pivot points.
- Field applied protective coatings can damage window sealants and gaskets and are not recommended.
- Masking tapes should NOT be used on window surfaces as they may cause damage when they are removed.
- Stucco or concrete left to cure on frames and glass may damage these surfaces. Remove and clean all such materials from surfaces before any curing action takes place. Rinse all surfaces exposed to leaching water from new concrete or stucco with clean water to prevent permanent damage.
- Check local building codes for egress and safety glass requirements.
- Periodically check weep holes in the sill keeping them clean and unclogged to ensure proper drainage.



INSTALLATION INSTRUCTIONS VINYL & ALUMINUM WINDOWS

The Best Is Always Superior™

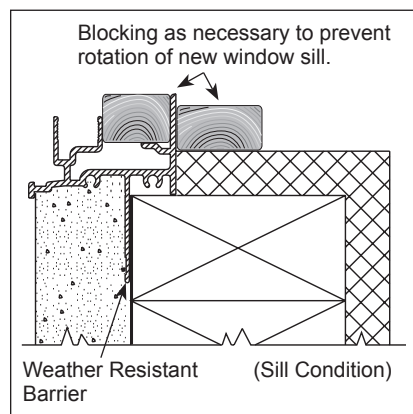
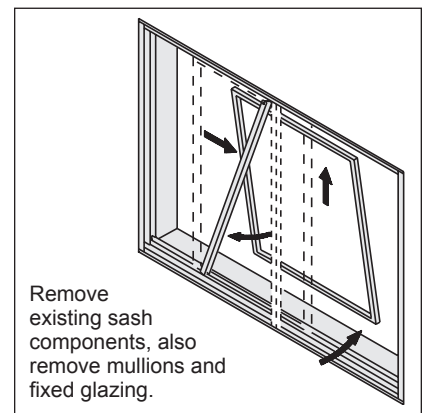
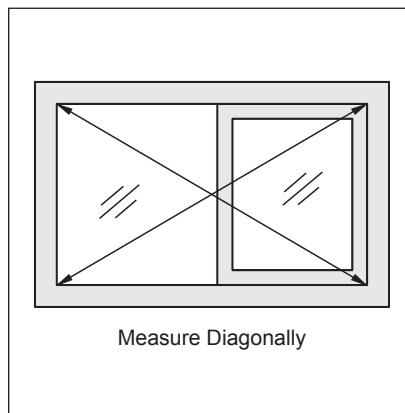
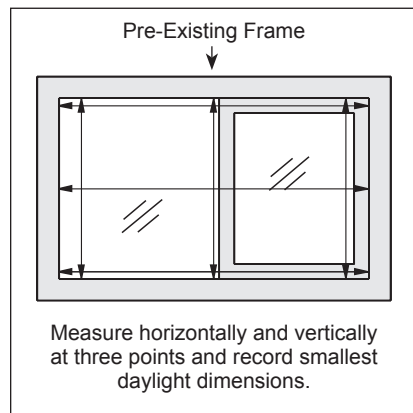
RETROFIT FRAME APPLICATION

Please read all instructions before beginning the installation.

Superior recommends using a professionally trained installer to install these windows. The installer must be familiar with all relevant building codes and regulations. These instructions are to be used as a guide and actual conditions may change the installation process. Failure to properly install the window may void the warranty and result in damage to the window and its surroundings.

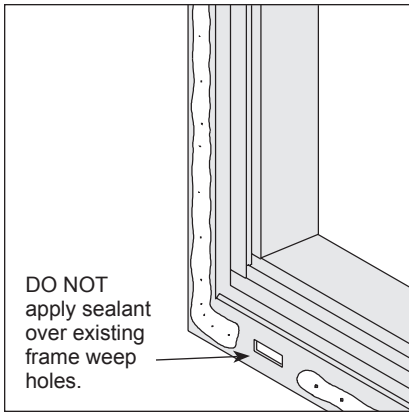
PREPARATION

All windows should be inspected upon delivery, note any defect on Superior's shipper and do not install product that is defective. Verify that the window will fit by double checking all measurements. The opening within the existing window frame should be approximately 1/2" larger than the new windows actual width and height (DIAGRAM 1). Check to make sure the opening is square, level, and plumb (DIAGRAM 2). Remove the glass panels and mullions from the existing window leaving the metal master frame intact (DIAGRAM 3).



INSTALLATION

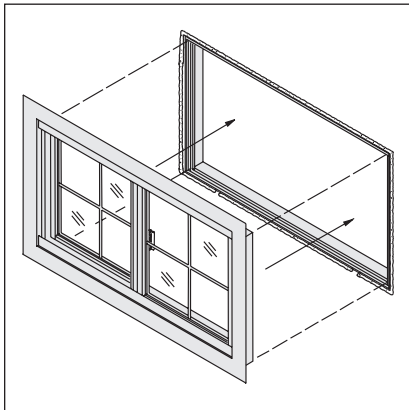
Place a continuous level block in the interior track of the existing window sill. The block must be strong enough to support the new window (DIAGRAM 4). Blocking should be the same height as the highest existing leg of the sill, so that the window does not rotate. Prefit the window in the opening making sure it fits properly without being forced. Make any adjustments as needed and remove the window.



5

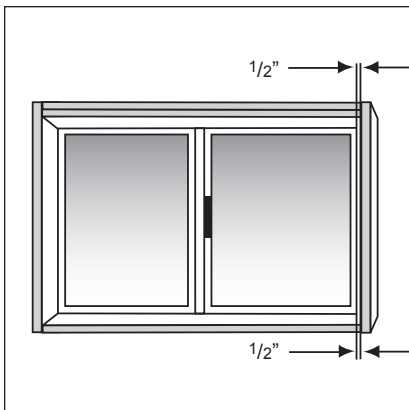
Apply a continuous $\frac{3}{8}$ " bead of a high quality elastomeric sealant as a primary seal to the exterior face of the existing window frame. Sealant must completely cover any seams or gaps where the existing and new frame members are joined together. Be careful not to cover the weep holes on the existing frame (DIAGRAM 5). Install the window in the opening from the exterior making sure the retro flange fits tight against the exterior wall (DIAGRAM 6). The sill must be supported in a manner to avoid sagging, deflection, and rotation. Shim as needed to make sure the unit is square, level, and plumb.

NOTE: When installing aluminum windows over steel frame, cover all exposed steel surfaces with vinyl tape prior to installation to eliminate direct contact between the aluminum and steel surfaces.

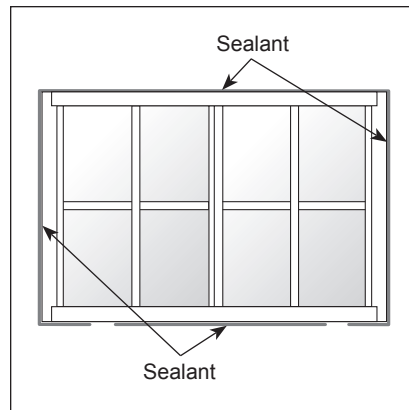


6

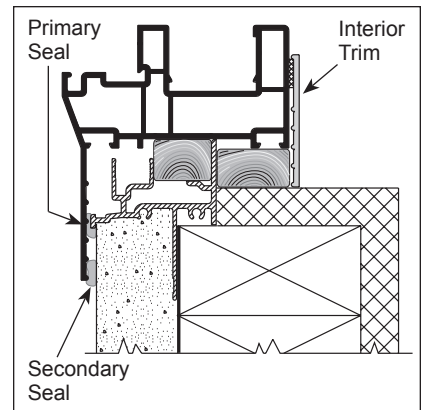
Pre-drill installation holes through the head and side jambs. Locate fasteners 6" from each corner and at a maximum of 16" on center in between. Secure the window using screws long enough to pass through the existing frame and into the studs. Care should be taken not to over torque the screws as this can cause the frame to bow. Check for squareness by opening the window $\frac{1}{2}$ ". The reveal should be the same top to bottom on sliders and side to side on single and double hungs (DIAGRAM 7). Run a continuous $\frac{3}{8}$ " bead of secondary sealant around the exterior perimeter of the window being careful to avoid blocking the weepage system (DIAGRAMS 8 & 9).



7



8



9

FINAL ADJUSTMENTS

Recheck the operation and locking of the window and install interior trim if available (DIAGRAM 9).