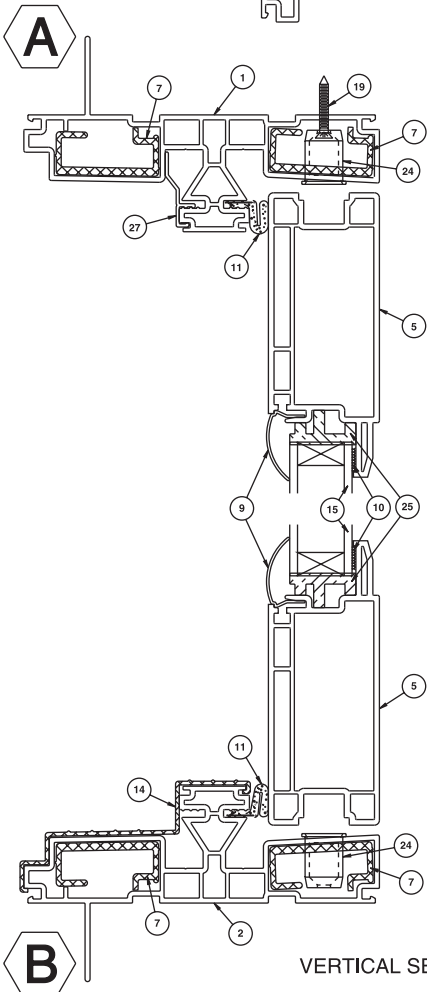
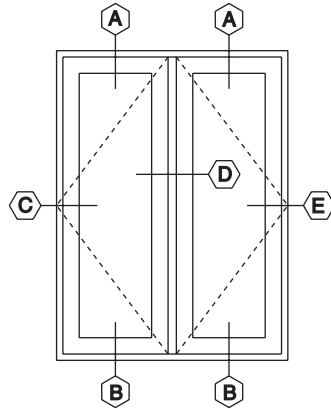


HORIZONTAL SECTION



VERTICAL SECTION



BILL OF MATERIALS

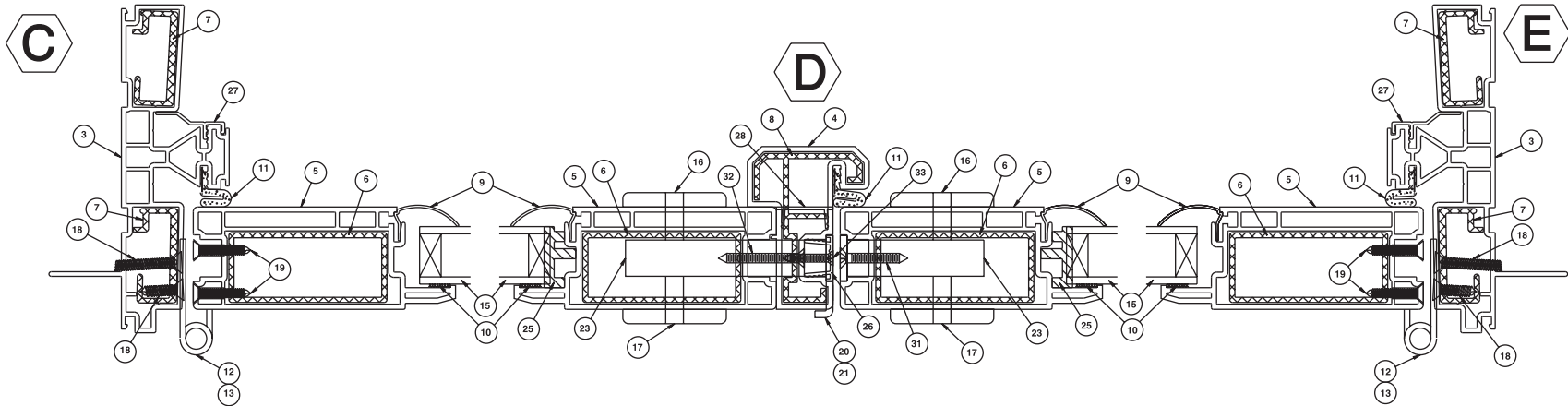
ITEM No.	SUPERIOR PART No.	NAME AND DESCRIPTION	QTY				
1	93-02	HEAD NAIL-ON MAIN FRAME	1	17	93-58	HANDLE W/THUMB TURN LOCK	1
2	93-02	SILL NAIL-ON MAIN FRAME	1	18	F-048WEL	#10 x 3/4" PFH HD EL UNDERCUT	24
3	93-02	JAMBS NAIL-ON MAIN FRAME	2	19	F-059WEL	#8 x 1" PFH TYPE F EVERLUBE	24
4	93-06	ASTRAGAL	1	20	93-101	STRIKE PLATE, LEFT	1
5	93-22	PANEL	6	21	93-104	STRIKE PLATE, RIGHT	
6	93-40	PANEL REINFORCEMENT	4 x H	22	93-50	LOCKSET	2
7	93-36	FRAME REINFORCEMENT	4 x W 4 x H	23	93-51	DOOR REVERSING GEAR	2
8	93-45	ASTRAGAL REINFORCEMENT	1	24	93-53	DOOR BRASS SLEEVE - 5/8"	4
9	93-32	GLAZING BEAD	2 x W 4 x H	25	93-31	SETTING BLOCK	16
10	46-98C	WET GLAZING SEALANT	2 x W 4 x H	26	93-35	FILLER	1 x H
11	W-130	Q-LON WEATHERSTRIPPING	2 x W 4 x H	27	93-03W	COVER	1 x W 2 x H
12	93-90	GUIDE HINGE	4	28	93-29	END CAP	2
13	93-91	SET HINGE	2	29	F-066	#10 x 3" PFH SMS ANCHOR SCREW	6
14	93-37	INSWING EXTERIOR THRESHOLD	1	30	93-60	FRENCH DOOR FS SCREW 4.2 x 30mm	12
15		I/G UNIT	2	31	F-026C	#8 x 1 1/2" FHP TYPE "A" CLEAR	6
16	93-57	HANDLE & ESCUTN W/KEY LOCK	1	32	F-013*	#6 x 7/8" PFH SMS EVERLUBE	3

SUPERIOR WINDOWS & DOORS ONTARIO, CALIFORNIA

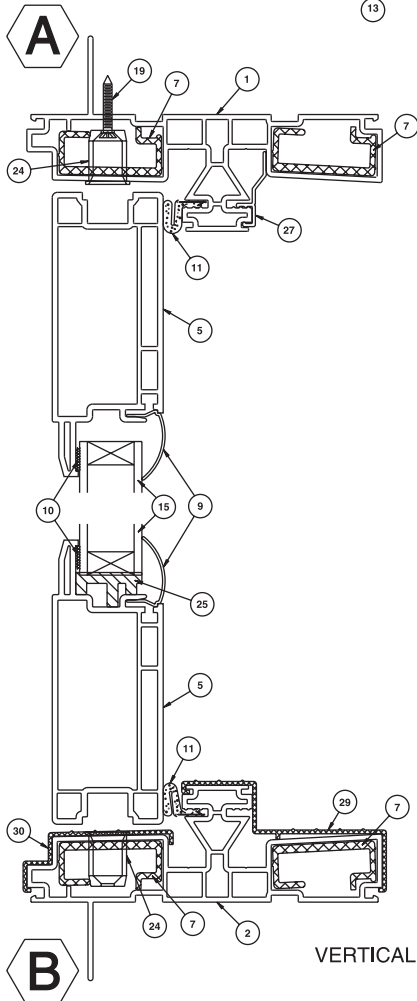
VINYL FRENCH INSWING DOOR
SERIES 9300 NAIL-ON FRAME

DRAWN BY: BT	SCALE: 1:1	DRAWING No. 9300
CHECKED BY:	DATE: 03/28/00	REVISION: "A" 09/16/05

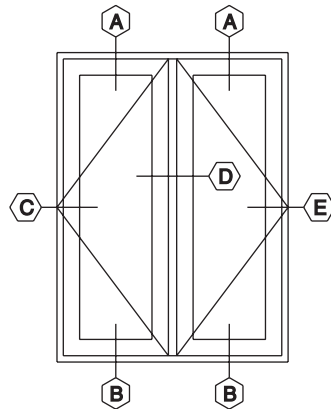
"A"	ITEM 10 WAS CHANGED	BT	09/16/05
LET.	REVISION	BY	DATE



HORIZONTAL SECTION



VERTICAL SECTION



BILL OF MATERIALS

ITEM No.	SUPERIOR PART No.	NAME AND DESCRIPTION	QTY			
1	93-02	HEAD NAIL-ON MAIN FRAME	1			
2	93-02	SILL NAIL-ON MAIN FRAME	1	18	F-048WEL	#10 x 3/4" PFH HD EL UNDERCUT
3	93-02	JAMBS NAIL-ON MAIN FRAME	2	19	F-059WEL	#8 x 1" PFH TYPE F EVERLUBE
4	93-06	ASTRAGAL	1	20	93-101	STRIKE PLATE, LEFT
5	93-22	PANEL	6	21	93-104	STRIKE PLATE, RIGHT
6	93-40	PANEL REINFORCEMENT	4 x H	22	93-50	LOCKSET
7	93-36	FRAME REINFORCEMENT	2 x W 2 x H	23	93-51	DOOR REVERSING GEAR
8	93-45	ASTRAGAL REINFORCEMENT	1	24	93-53	DOOR BRASS SLEEVE - 5/8"
9	93-32	GLAZING BEAD	2 x W 4 x H	25	93-31	SETTING BLOCK
10	66-66	GLAZING TAPE 1/16" x 1/2"	2 x W 4 x H	26	93-35	FILLER
11	W-130	Q-LON WEATHERSTRIPPING	2 x W 4 x H	27	93-03W	COVER
12	93-90	GUIDE HINGE	2	28	93-29	END CAP
13	93-911	SET HINGE WITH ANTI-PICK	1	29	93-48	OUTSWING INTERIOR THRESHOLD
14				30	93-49	OUTSWING EXTERIOR THRESHOLD
15		I/G UNIT	2	31	93-60	FRENCH DOOR FS SCREW 4.2 x 30mm
16	93-57	HANDLE & ESCUTCH W/KEY LOCK	1	32	F-026C	#8 x 1 1/2" FHP TYPE "A" CLEAR
17	93-58	HANDLE W/THUMB TURN LOCK	1	33	F-013*	#6 x 7/8" PFH SMS EVERLUBE

SUPERIOR WINDOWS & DOORS ONTARIO, CALIFORNIA

VINYL FRENCH OUTSWING DOOR
SERIES 9301 NAIL-ON FRAME

DRAWN BY: BT	SCALE: 1:1	DRAWING No. 9301
CHECKED BY:	DATE: 04/05/00	REVISION: "A" 09/16/05

"A"	ITEM 10 WAS CHANGED	BT	09/16/05
LET.	REVISION	BY	DATE