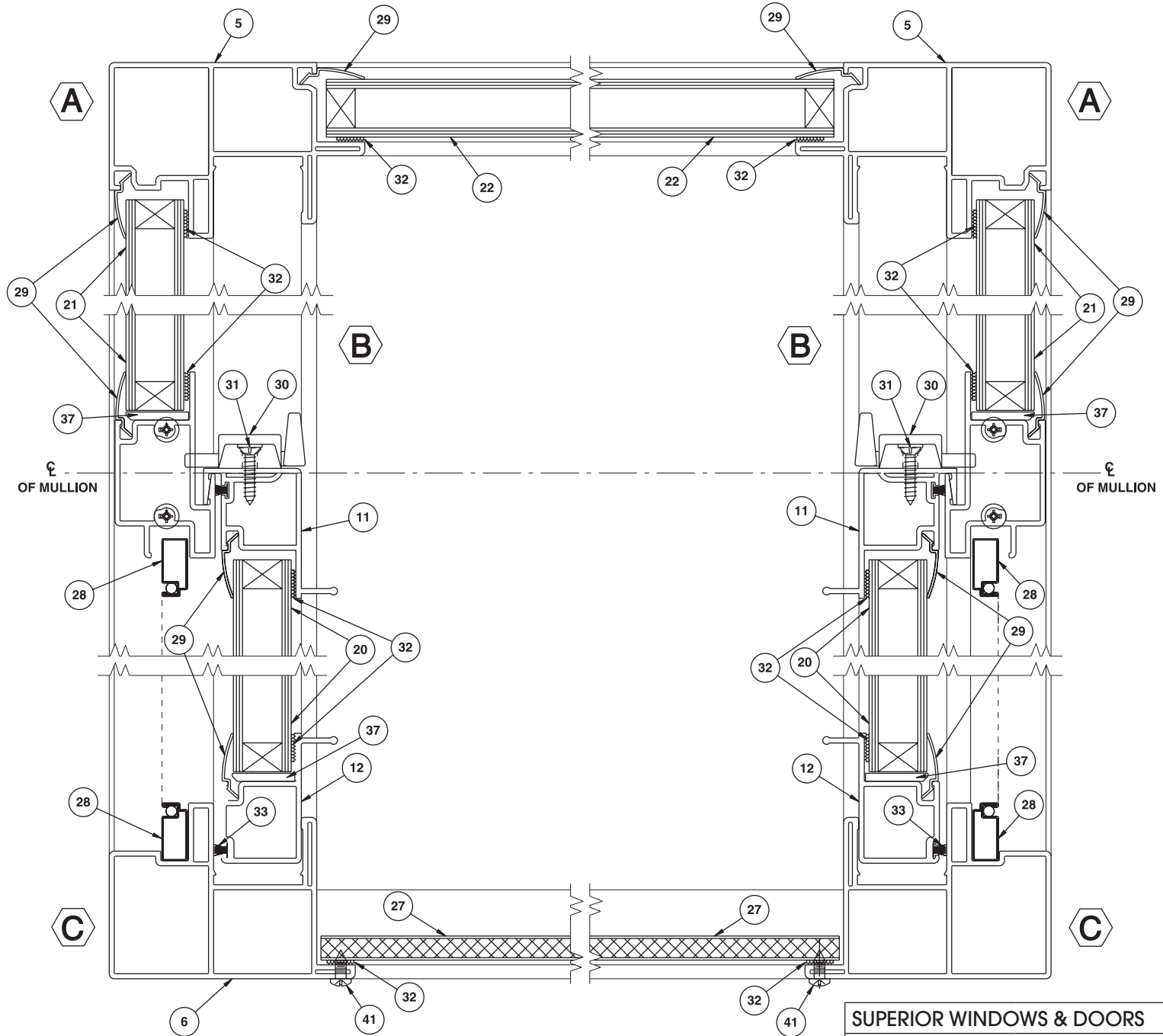


VERTICAL SECTION
(THRU SIDE FRAMES)

"B"	ITEM NO. 32 WAS CHANGED, ITEMS 42 AND 43 WERE REMOVED	BT	06/14/05
"A"	ITEM NO. 29 MIKRON DIE WAS 6177	AP	04/27/04
LET.	REVISION	BY	DATE

SUPERIOR WINDOWS & DOORS		ONTARIO, CALIFORNIA	
VINYL GARDEN WINDOW			
SERIES 445 NEW CONSTRUCTION			
DRAWN BY: BT	SCALE: 1:1	DRAWING NO. 445	
CHECKED BY:	DATE: 01/29/99	REVISION: "B" 06/14/05	



VERTICAL SECTION
(THRU VENT AND FIXED GLASS @ SIDE FRAMES)

"B"	ITEM No. 32 WAS CHANGED, ITEMS 42 AND 43 WERE REMOVED	BT	06/14/05
"A"	ITEM No. 29, MIKRON DIE WAS 6177	AP	04/27/04
LET.	REVISION	BY	DATE

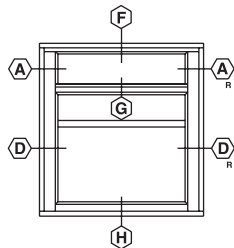
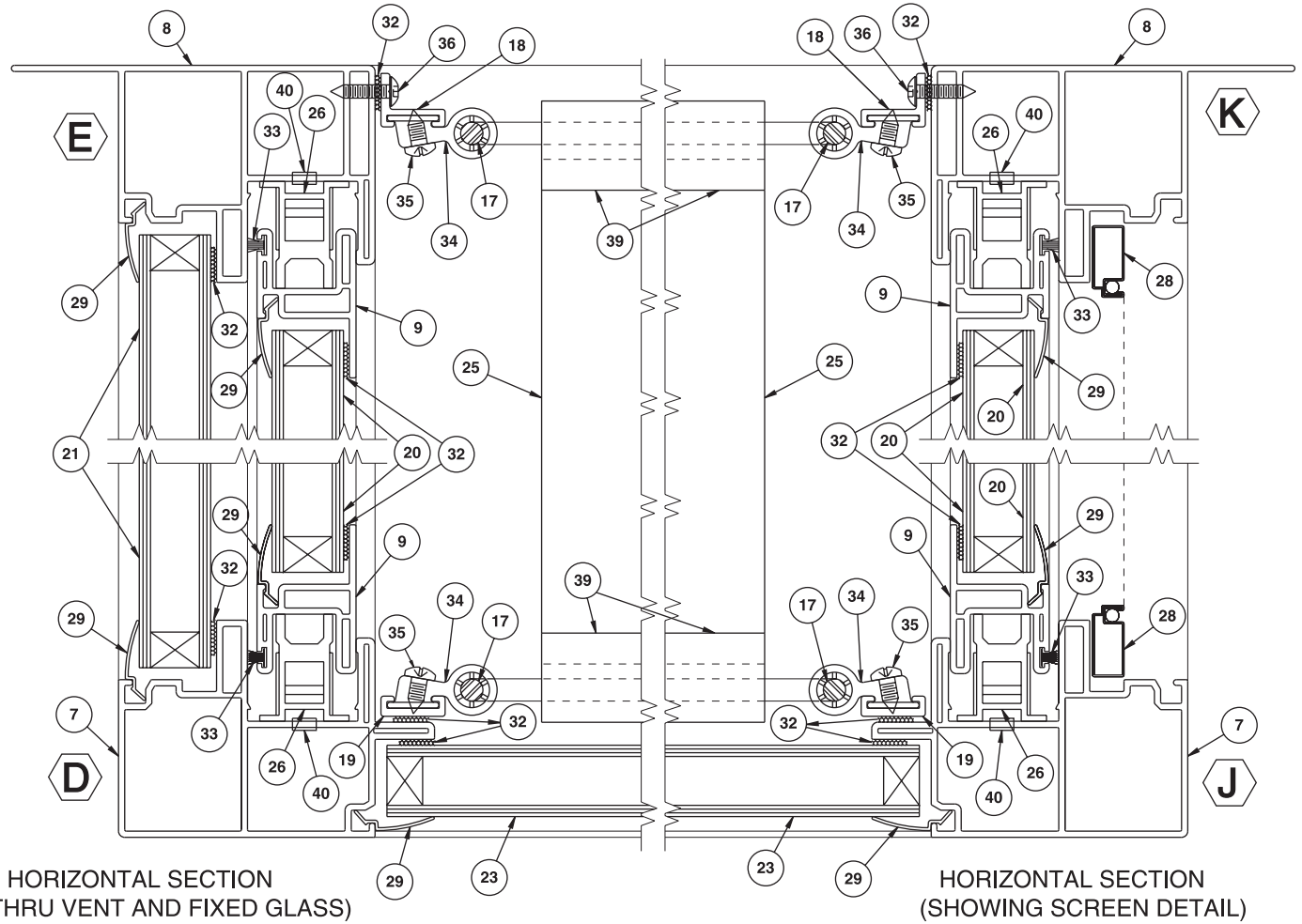
SUPERIOR WINDOWS & DOORS ONTARIO, CALIFORNIA

VINYL GARDEN WINDOW
SERIES 445 NEW CONSTRUCTION

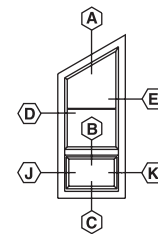
DRAWN BY: BT	SCALE: 1:1	DRAWING No. 445
CHECKED BY:	DATE: 01/29/99	REVISION: "B" 06/14/05

BILL OF MATERIALS

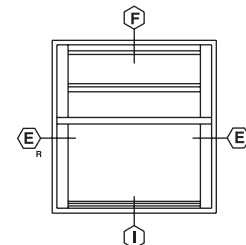
ITEM No.	SUPERIOR PART No.	NAME AND DESCRIPTION	QTY
1	44-01	FRONT HEAD	1
2	44-02	FRONT SILL	1
3	44-03	BACK HEAD	1
4	44-04	BACK SILL	1
5	44-05	SIDE FRAME HEAD	2
6	44-07	SIDE FRAME SILL	2
7	44-05	SIDE FRAME FRONT JAMB	2
8	44-06	SIDE FRAME BACK JAMB	2
9	67-06	VENT STILE	4
10	44-08	MULLION	2
11	87-04	VENT INTERLOCK	2
12	89-03	VENT BOTTOM RAIL	2
13	44-10	FRONT HEAD ALUMINUM REINFORCER	1
14	44-11	FRONT SILL ALUMINUM REINFORCER	1
15	44-12	BACK HEAD ALUMINUM REINFORCER	1
16	44-13	BACK SILL ALUMINUM REINFORCER	1
17	325-31	SHELF 1 @ ALL WDS. OR TO 6'-0" SUPPORT ROD 2 @ 8'-0" WDS.	4/ SHELF
18	44-14	ALUMINUM SELF SUPPORT (BACK)	2
19	44-15	ALUMINUM SELF SUPPORT (FRONT)	2
20		VENT GLASS @ SIDES	2
21		FIXED GLASS @ SIDES	2
22		FIXED GLASS @ TOP	1
23		FIXED GLASS @ FRONT	1
24		FIXED GLASS @ TOP AND FRONT	1
25		GLASS SHELF	
26	35-55	BLOCK AND TACKLE BALANCE	2/VENT
27		BOTTOM PAN	1
28		SCREEN	2
29		GLAZING BEAD	
30	66-52	SWEEP LOCK	2
31	F-049WVHSS	#6 x 3/4" P.F.H. V.H.S. S.S. (SASH LOCK)	2
32	46-98C	WET GLAZING SEALANT	2 x W 4 x H
33	W-118	WEATHERSTRIPPING .220 HIGH .187 BACKING	1 x W 2 x H
34	33-59	SHELF SUPPORT BRACKET	4/ SHELF
35	F-041	#10 - 24 x 3/8" P.P.H. TYPE "F"	4/ SHELF
36	F-005SQW	#6 x 5/8" PAN SQUARE DRIVE S.M.S.	2
37	66-32	VENT SETTING BLOCK	4
38	V-060	GLAZING VINYL	4
39	33-23W	GLASS SHELF TRIM	4
40	35-51	CLIP, BALANCE TAKE OUT	2/VENT
41	F-001	#6 x 3/8" P.P.H. S.M.S.	4/ SHELF



FRONT ELEVATION



SIDE ELEVATION



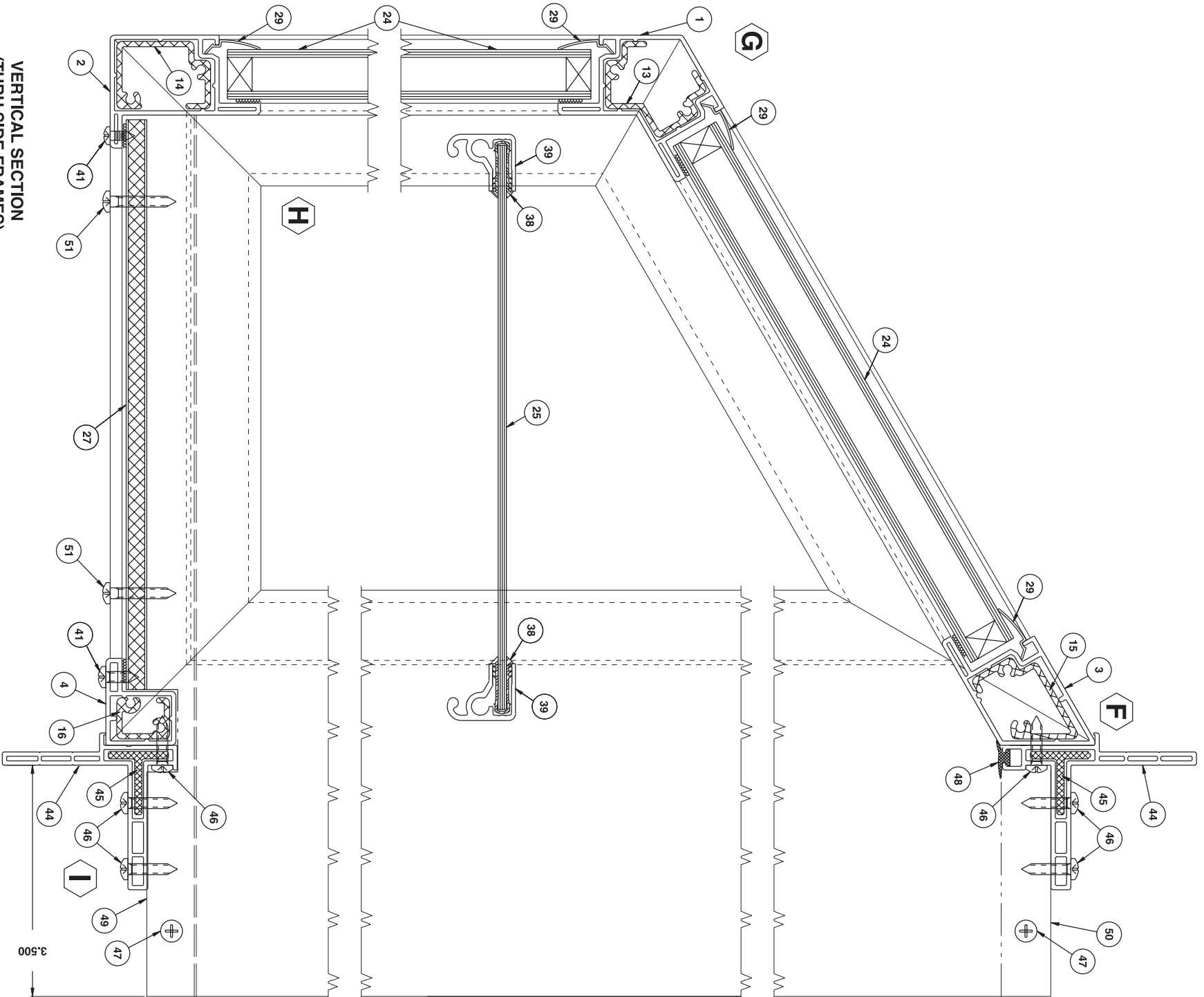
BACK ELEVATION

"B"	ITEM No. 32 WAS CHANGED, ITEMS 42 AND 43 WERE REMOVED	BT	06/14/05
"A"	ITEM No. 29, MIKRON DIE WAS 6177	AP	04/27/04
LET.	REVISION	BY	DATE

SUPERIOR WINDOWS & DOORS ONTARIO, CALIFORNIA

VINYL GARDEN WINDOW
SERIES 445 NEW CONSTRUCTION

DRAWN BY: BT	SCALE: 1:1	DRAWING No. 445
CHECKED BY:	DATE: 01/29/99	REVISION: "B" 06/14/05

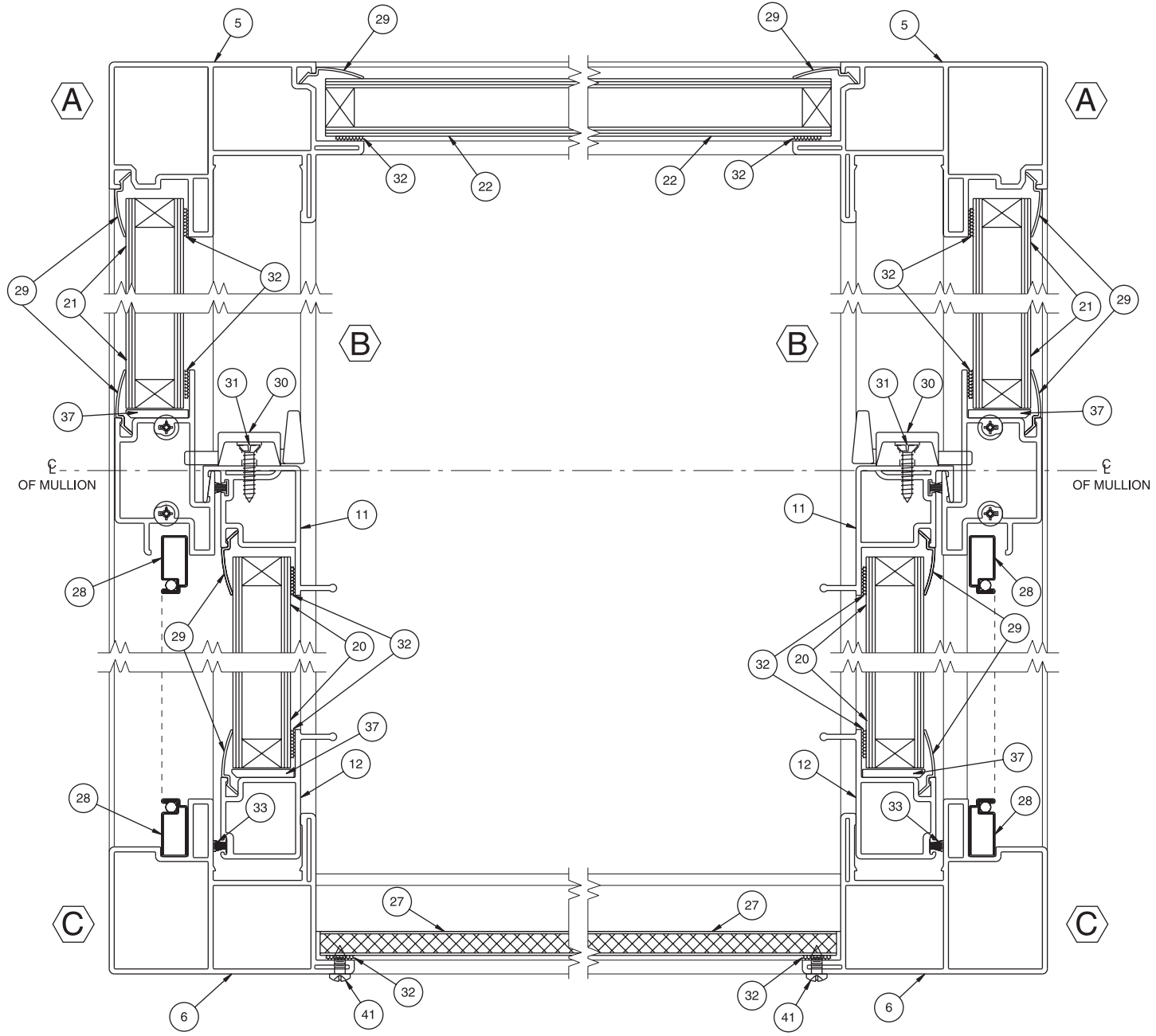


VERTICAL SECTION
(THRU SIDE FRAMES)

BACK ELEVATION

A.A.	ITEMS 42 AND 43 WERE REMOVED	BT	06/14/05
LET.	REVISION	BY	DATE

SUPERIOR WINDOWS & DOORS		ONTARIO, CALIFORNIA	
VINYL GARDEN WINDOW			
SERIES 490 RETROFIT			
DRAWN BY: BT	SCALE: 1:1	DRAWING No. 490	
CHECKED BY:	DATE: 11/24/04	REVISION: "A" 06/14/05	



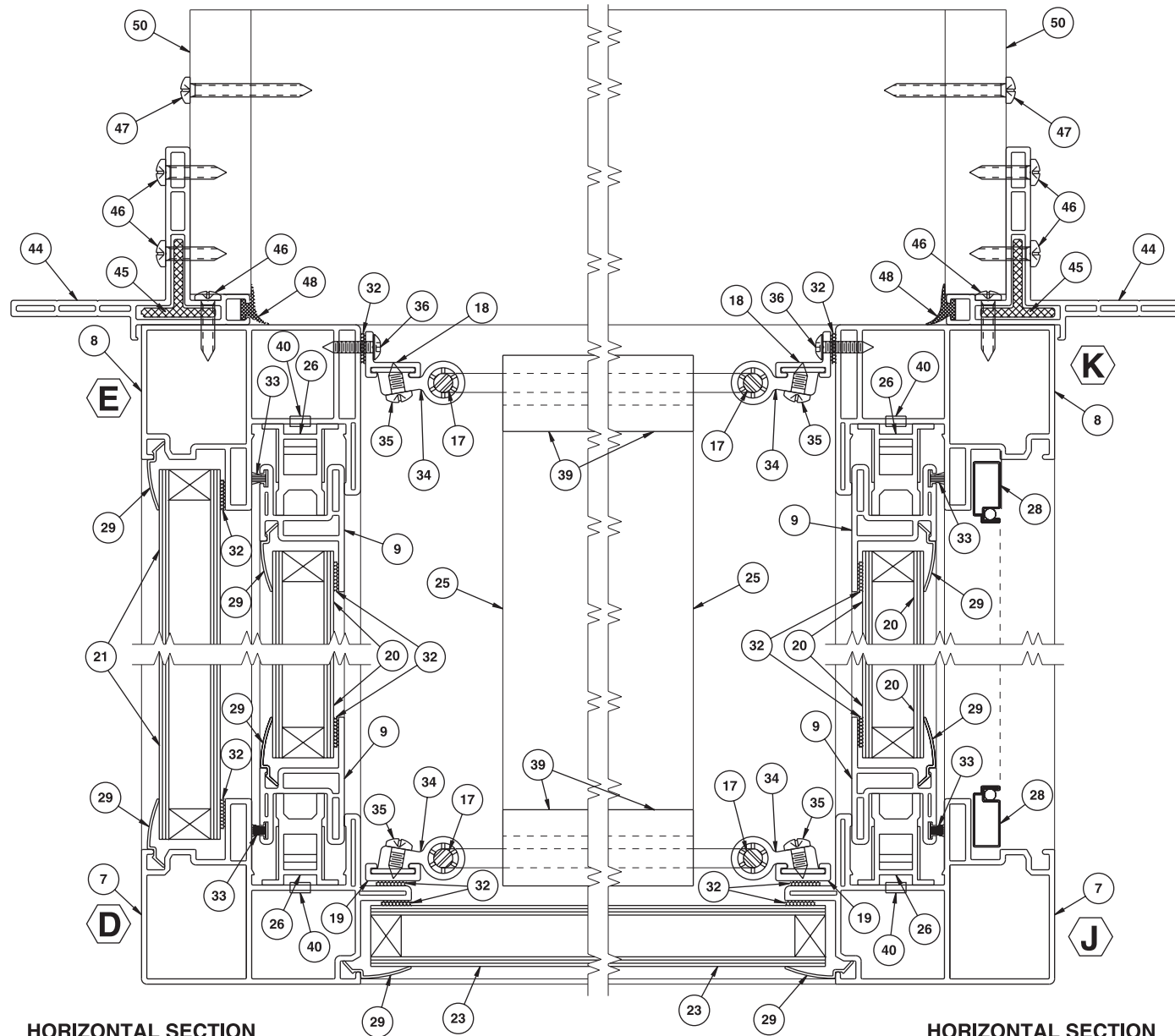
VERTICAL SECTION
(THRU VENT AND FIXED GLASS @ SIDE FRAMES)

SUPERIOR WINDOWS & DOORS ONTARIO, CALIFORNIA

VINYL GARDEN WINDOW
SERIES 490 RETROFIT

DRAWN BY: BT	SCALE: 1:1	DRAWING No. 490
CHECKED BY:	DATE: 11/24/04	REVISION: "A" 06/14/05

"A"	ITEMS 42 AND 43 WERE REMOVED	BT	06/14/05
LET.	REVISION	BY	DATE



**HORIZONTAL SECTION
(THRU VENT AND FIXED GLASS)**

**HORIZONTAL SECTION
(SHOWING SCREEN DETAIL)**

SUPERIOR WINDOWS & DOORS ONTARIO, CALIFORNIA

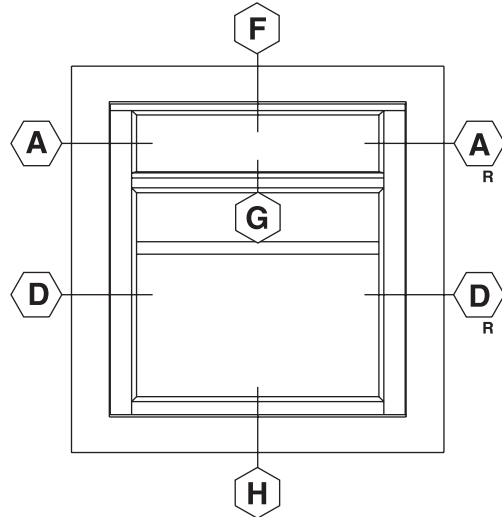
VINYL GARDEN WINDOW
SERIES 490 RETROFIT

DRAWN BY: BT	SCALE: 1:1	DRAWING No. 490
CHECKED BY:	DATE: 11/24/04	REVISION: "A" 06/14/05

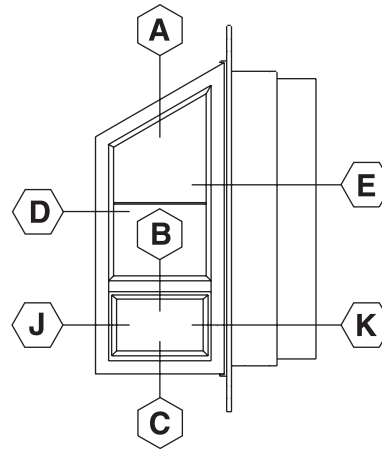
"A" ITEMS 42 AND 43 WERE REMOVED	BT	06/14/05
LET. REVISION	BY	DATE

BILL OF MATERIALS

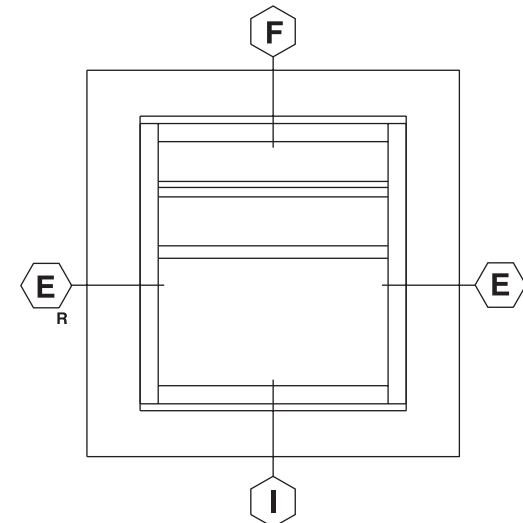
ITEM No.	SUPERIOR PART No.	NAME AND DESCRIPTION	QTY												
1	44-01	FRONT HEAD	1	17	325-31	SHELF 1 @ ALL WDS. OR TO 6' - 0" SUPPORT ROD 2 @ 8' - 0" WDS.	4/ SHELF	33	W-118	WEATHERSTRIPPING .220 HIGH .187 BACKING	1 x W 2 x H	49	33-69	BOTTOM BOARD (MELAMINE)	1
2	44-02	FRONT SILL	1	18	44-14	ALUMINUM SELF SUPPORT (BACK)	2	34	33-59	SHELF SUPPORT BRACKET	4/ SHELF	50	33-70	HEAD AND SIDE BOARD (MELAMINE)	3
3	44-03	BACK HEAD	1	19	44-15	ALUMINUM SELF SUPPORT (FRONT)	2	35	F-041	#10 - 24 x 3/8" P.P.H. TYPE "F"	4/ SHELF	51	F-	#8 x 1" PHP	1
4	44-04	BACK SILL	1	20		VENT GLASS @ SIDES	2	36	F-005SQW	#6 x 5/8" PAN SQUARE DRIVE S.M.S.	2				
5	44-05	SIDE FRAME HEAD	2	21		FIXED GLASS @ SIDES	2	37	66-32	VENT SETTING BLOCK	4				
6	44-07	SIDE FRAME SILL	2	22		FIXED GLASS @ TOP	1	38	V-060	GLAZING VINYL	4				
7	44-05	SIDE FRAME FRONT JAMB	2	23		FIXED GLASS @ FRONT	1	39	33-23W	GLASS SHELF TRIM	4				
8	44-06	SIDE FRAME BACK JAMB	2	24		FIXED GLASS @ TOP AND FRONT	1	40	35-51	CLIP, BALANCE TAKE OUT	2/VENT				
9	67-06	VENT STILE	4	25		GLASS SHELF		41	F-001	#6 x 3/8" P.P.H. S.M.S.	4/ SHELF				
10	44-08	MULLION	2	26	35-55	BLOCK AND TACKLE BALANCE	2/VENT	42							
11	87-04	VENT INTERLOCK	2	27		BOTTOM PAN	1	43							
12	89-03	VENT BOTTOM RAIL	2	28		SCREEN	2	44	44-17	RETROFIT ADAPTOR	4				
13	44-10	FRONT HEAD ALUMINUM REINFORCER	1	29	66-07	GLAZING BEAD		45	44-18	RETROFIT ADAPTOR REINFORCEMENT	4				
14	44-11	FRONT SILL ALUMINUM REINFORCER	1	30	66-52	SWEEP LOCK	2	46	F-	#8 x 3/4" PHP	1				
15	44-12	BACK HEAD ALUMINUM REINFORCER	1	31	F-049WVHSS	#6 x 3/4" P.F.H. V.H.S. S.S. (SASH LOCK)	2	47	F-	#8 x 1 1/2" PHP	1				
16	44-13	BACK SILL ALUMINUM REINFORCER	1	32	46-98C	WET GLAZING SEALANT	2 x W 4 x H	48	V-	VINYL SEAL	3				



FRONT ELEVATION



SIDE ELEVATION



BACK ELEVATION

SUPERIOR WINDOWS & DOORS ONTARIO, CALIFORNIA

VINYL GARDEN WINDOW
SERIES 490 RETROFIT

DRAWN BY: BT	SCALE: 1:1	DRAWING No. 490
CHECKED BY:	DATE: 11/24/04	REVISION: "A" 06/14/05

"A" ITEMS 42 AND 43 WERE REMOVED	BT 06/14/05
LET. REVISION	BY DATE