



# INSTALLATION INSTRUCTIONS VINYL & ALUMINUM WINDOWS

The Best Is Always Superior™

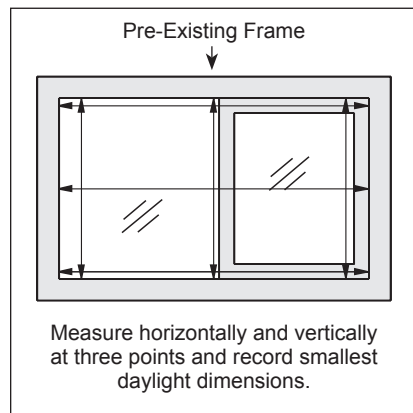
## RETROFIT FRAME APPLICATION

*Please read all instructions before beginning the installation.*

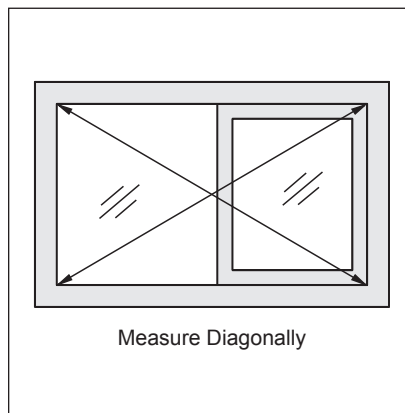
Superior recommends using a professionally trained installer to install these windows. The installer must be familiar with all relevant building codes and regulations. These instructions are to be used as a guide and actual conditions may change the installation process. Failure to properly install the window may void the warranty and result in damage to the window and its surroundings.

### PREPARATION

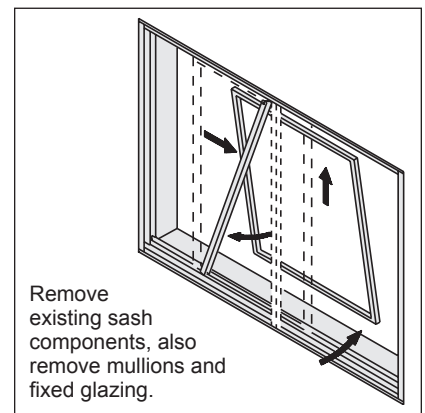
All windows should be inspected upon delivery, note any defect on Superior's shipper and do not install product that is defective. Verify that the window will fit by double checking all measurements. The opening within the existing window frame should be approximately 1/2" larger than the new windows actual width and height (DIAGRAM 1). Check to make sure the opening is square, level, and plumb (DIAGRAM 2). Remove the glass panels and mullions from the existing window leaving the metal master frame intact (DIAGRAM 3).



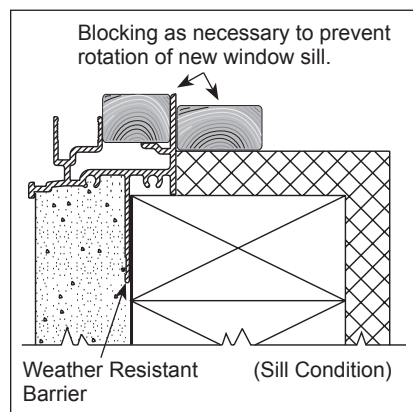
1



2



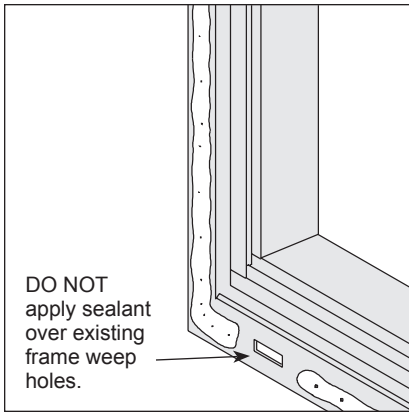
3



4

### INSTALLATION

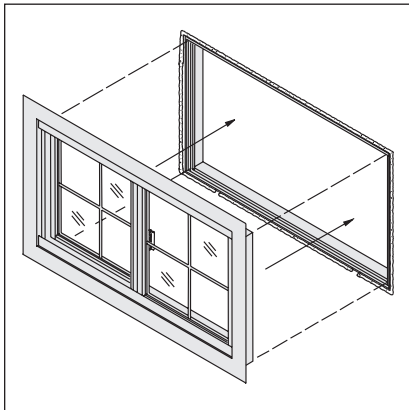
Place a continuous level block in the interior track of the existing window sill. The block must be strong enough to support the new window (DIAGRAM 4). Blocking should be the same height as the highest existing leg of the sill, so that the window does not rotate. Prefit the window in the opening making sure it fits properly without being forced. Make any adjustments as needed and remove the window.



5

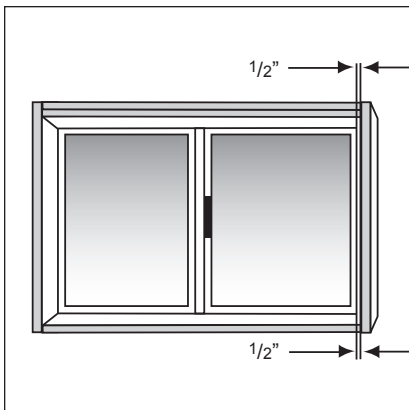
Apply a continuous 3/8" bead of a high quality elastomeric sealant as a primary seal to the exterior face of the existing window frame. Sealant must completely cover any seams or gaps where the existing and new frame members are joined together. Be careful not to cover the weep holes on the existing frame (DIAGRAM 5). Install the window in the opening from the exterior making sure the retro flange fits tight against the exterior wall (DIAGRAM 6). The sill must be supported in a manner to avoid sagging, deflection, and rotation. Shim as needed to make sure the unit is square, level, and plumb.

NOTE: When installing aluminum windows over steel frame, cover all exposed steel surfaces with vinyl tape prior to installation to eliminate direct contact between the aluminum and steel surfaces.

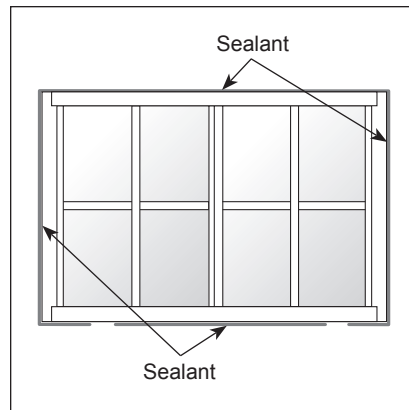


6

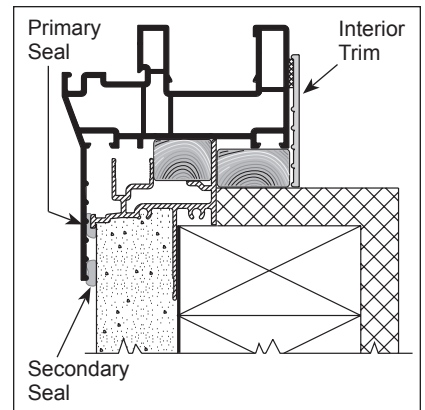
Pre-drill installation holes through the head and side jambs. Locate fasteners 6" from each corner and at a maximum of 16" on center in between. Secure the window using screws long enough to pass through the existing frame and into the studs. Care should be taken not to over torque the screws as this can cause the frame to bow. Check for squareness by opening the window 1/2". The reveal should be the same top to bottom on sliders and side to side on single and double hungs (DIAGRAM 7). Run a continuous 3/8" bead of secondary sealant around the exterior perimeter of the window being careful to avoid blocking the weepage system (DIAGRAMS 8 & 9).



7



8



9

**FINAL ADJUSTMENTS**

Recheck the operation and locking of the window and install interior trim if available (DIAGRAM 9).